

B AC Motors

S.C. Brake Motor 15W (□80mm)

15W

Speed Control
Brake Motor
15W(□80mm)

Motor Specification

Model 8SBDG* ⁻ 15□: Gear Type Shaft 8SBDD* ⁻ 15: D-Cut Type Shaft	Output W	Voltage V	Frequency Hz	Poles	Duty	Speed Range r/min	Starting Torque		Permissible Torque				Capacitor μF / VAC
									1200r/min		90r/min		
							kgfcm	N.m	kgfcm	N.m	kgfcm	N.m	
8SBDGA-15□	15	1∅110	60	4	30min.	90-1700	0.70	0.070	1.50	0.150	0.60	0.060	6.0 / 450
8SBDGD-15□	15	1∅220	60	4	30min.	90-1700	0.85	0.085	1.50	0.150	0.55	0.055	1.5 / 450
8SBDGE-15□	15	1∅220	50	4	30min.	90-1400	0.75	0.075	1.20	0.120	0.50	0.050	1.5 / 450
		0.85					0.085	1.40	0.140	0.50	0.050		

1) Enter the phase & voltage code in the place * and enter the model type of attaching Gearbox in the box (□) within the motor model name.

2) All models contain a built-in thermal protector.

3) Gear Type Shaft are for attaching Gearbox and D-Cut Type Shaft are for using motor only.

Max. Permissible Torque at Output Shaft of Gearbox

Motor Model	Gearbox Model	r/min	V	Hz	Gear Ratio	3	3.6	5	6	7.5	9	12.5	15	18	25	30	36	40	50	60	75	90	100	120	150	180	200	250	300	360	
8SBDG □-15G	8GBK □BMH	1200	110	60	kgfcm	3.7	4.5	6.2	7.5	9.3	11.2	15.6	18.7	22.4	28.1	33.8	36.7	40.8	51.0	61.2	76.5	80.0	80.0	80.0	80.0	80.0	80.0	80.0	80.0	80.0	80.0
					N.m	0.37	0.44	0.61	0.73	0.92	1.10	1.53	1.83	2.20	2.76	3.31	3.60	4.00	5.00	6.00	7.50	7.84	7.84	7.84	7.84	7.84	7.84	7.84	7.84	7.84	7.84
			kgfcm	3.7	4.5	6.2	7.5	9.3	11.2	15.6	18.7	22.4	28.1	33.8	36.7	40.8	51.0	61.2	76.5	80.0	80.0	80.0	80.0	80.0	80.0	80.0	80.0	80.0	80.0	80.0	80.0
		N.m	0.37	0.44	0.61	0.73	0.92	1.10	1.53	1.83	2.20	2.76	3.31	3.60	4.00	5.00	6.00	7.50	7.84	7.84	7.84	7.84	7.84	7.84	7.84	7.84	7.84	7.84	7.84	7.84	7.84
		kgfcm	3.5	4.2	5.8	7.0	8.7	10.5	14.5	17.4	20.9	26.3	31.5	34.3	38.1	47.6	57.1	71.4	80.0	80.0	80.0	80.0	80.0	80.0	80.0	80.0	80.0	80.0	80.0	80.0	80.0
		N.m	0.34	0.41	0.57	0.68	0.85	1.02	1.42	1.71	2.05	2.57	3.09	3.36	3.73	4.66	5.60	7.00	7.84	7.84	7.84	7.84	7.84	7.84	7.84	7.84	7.84	7.84	7.84	7.84	7.84
	90	110	60	kgfcm	0.9	1.0	1.5	1.7	2.2	2.6	3.6	4.4	5.2	6.6	7.9	8.6	9.5	11.9	14.3	17.9	21.4	23.8	28.6	35.7	42.8	42.7	53.4	64.1	76.9		
				N.m	0.09	0.10	0.14	0.17	0.21	0.26	0.36	0.43	0.51	0.64	0.77	0.84	0.93	1.17	1.40	1.75	2.10	2.33	2.80	3.50	4.20	4.18	5.23	6.28	7.53		
		kgfcm	0.9	1.0	1.5	1.7	2.2	2.6	3.6	4.4	5.2	6.6	7.9	8.6	9.5	11.9	14.3	17.9	21.4	23.8	28.6	35.7	42.8	42.7	53.4	64.1	76.9				
		N.m	0.09	0.10	0.14	0.17	0.21	0.26	0.36	0.43	0.51	0.64	0.77	0.84	0.93	1.17	1.40	1.75	2.10	2.33	2.80	3.50	4.20	4.18	5.23	6.28	7.53				
		kgfcm	0.9	1.0	1.5	1.7	2.2	2.6	3.6	4.4	5.2	6.6	7.9	8.6	9.5	11.9	14.3	17.9	21.4	23.8	28.6	35.7	42.8	42.7	53.4	64.1	76.9				
		N.m	0.09	0.10	0.14	0.17	0.21	0.26	0.36	0.43	0.51	0.64	0.77	0.84	0.93	1.17	1.40	1.75	2.10	2.33	2.80	3.50	4.20	4.18	5.23	6.28	7.53				

Motor Model	Gearbox Model	r/min	V	Hz	Gear Ratio	10	12	15	18	25	30	36	50	60
8SBDG□ -15W	8WD□BL/ □BR/□BRL	1200	110	60	kgfcm	12.3	14.4	17.3	20.0	26.3	29.7	34.6	45.0	49.5
					N.m	1.21	1.41	1.70	1.96	2.57	2.91	3.39	4.41	4.85
			kgfcm	12.5	14.9	18.7	22.4	31.1	37.4	44.8	62.3	74.7		
		N.m	1.22	1.46	1.83	2.20	3.05	3.66	4.39	6.10	7.32			
		kgfcm	11.5	13.4	16.2	18.6	24.5	27.7	32.3	42.0	46.2			
		N.m	1.13	1.32	1.58	1.83	2.40	2.72	3.16	4.12	4.53			
	90	110	60	kgfcm	2.9	3.4	4.0	4.7	6.1	6.9	8.1	10.5	11.6	
				N.m	0.28	0.33	0.40	0.46	0.60	0.68	0.79	1.03	1.13	
		kgfcm	2.9	3.4	4.0	4.7	6.1	6.9	8.1	10.5	11.6			
		N.m	0.28	0.33	0.40	0.46	0.60	0.68	0.79	1.03	1.13			
		kgfcm	2.9	3.4	4.0	4.7	6.1	6.9	8.1	10.5	11.6			
		N.m	0.28	0.33	0.40	0.46	0.60	0.68	0.79	1.03	1.13			

1) Enter the phase & voltage code in the box (□) within the motor model name.

2) Enter the gear ratio in the box (□) within the Gearbox model name.

3) A colored background indicates gear shaft rotation in the same direction as the motor shaft; a white background indicates rotation in the opposite direction.

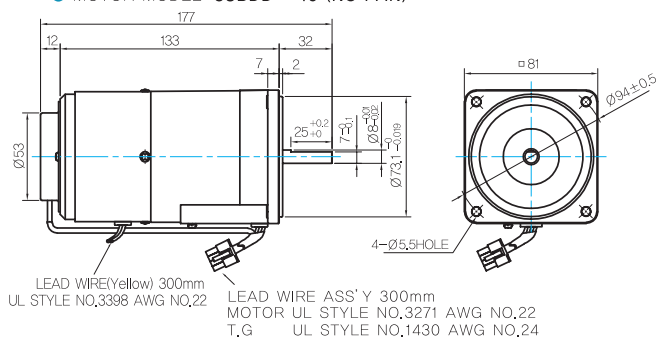
4) The rotating speed is calculated by dividing the motor's synchronous speed (50Hz: 1,500r/min, 60Hz: 1,800r/min) by the gear ratio.

The actual speed is 2~20% less than the displayed value, depending on the size of the load.

Dimensions

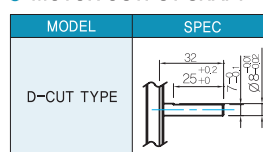
MOTOR ONLY

- MOTOR MODEL: 8SBDD□-15 (NO FAN)

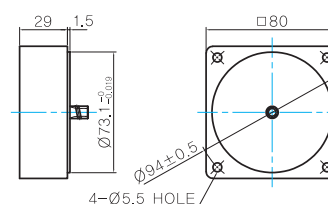


INTER-DECIMAL GEARBOX

- MOTOR OUTPUT SHAFT



- MODEL: 8XD10□

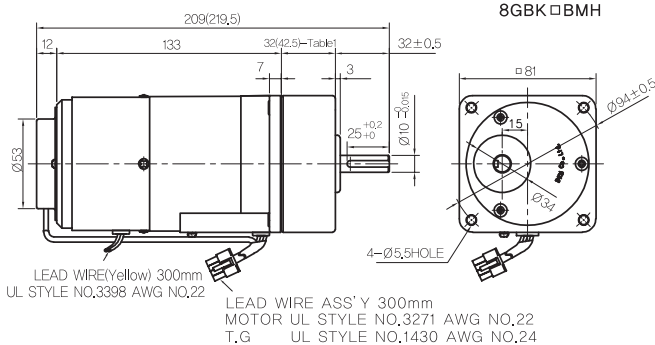


GEARED MOTOR

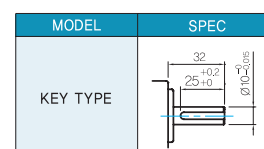
G TYPE GEARBOX

- MOTOR MODEL: 8SBDG□-15G (NO FAN)

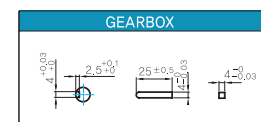
- GEARBOX MODEL: 8GBK□BMH



- GEARBOX OUTPUT SHAFT



- KEY SPEC



- 32(42.5)-Table1

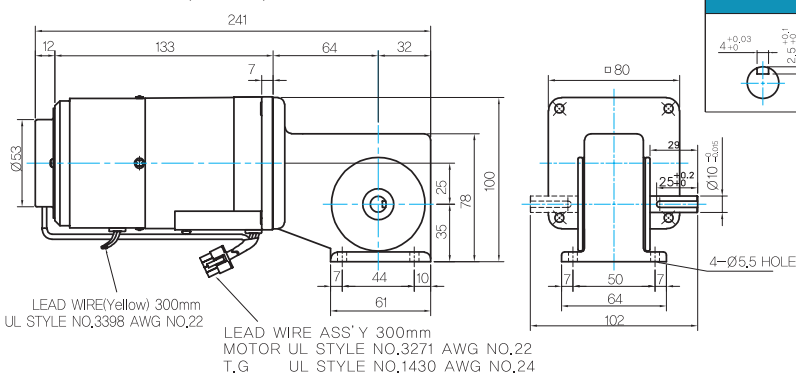
SIZE(mm)	GEAR RATIO
32	8GBK3BMH - 8GBK18BMH
42.5	8GBK25BMH - 8GBK360BMH

W TYPE GEARBOX

- MOTOR MODEL: 8SBDD□-15W (NO FAN)

- GEARBOX MODEL: 8WD□BL/BR/BRL

- KEY SPEC



WEIGHT

PART	WEIGHT(Kg)	
MOTOR	2.09	
GEAR BOX	8GBK3BMH ~ 8GBK18BMH	0.48
	8GBK25BMH ~ 8GBK30BMH	0.61
	8GBK36BMH ~ 8GBK180BMH	0.67
	8GBK200BMH ~ 8GBK360BMH	0.63
	8WD□BL/BR/BRL	0.67
8XD10□	0.44	

Motor Images

